

LEADER



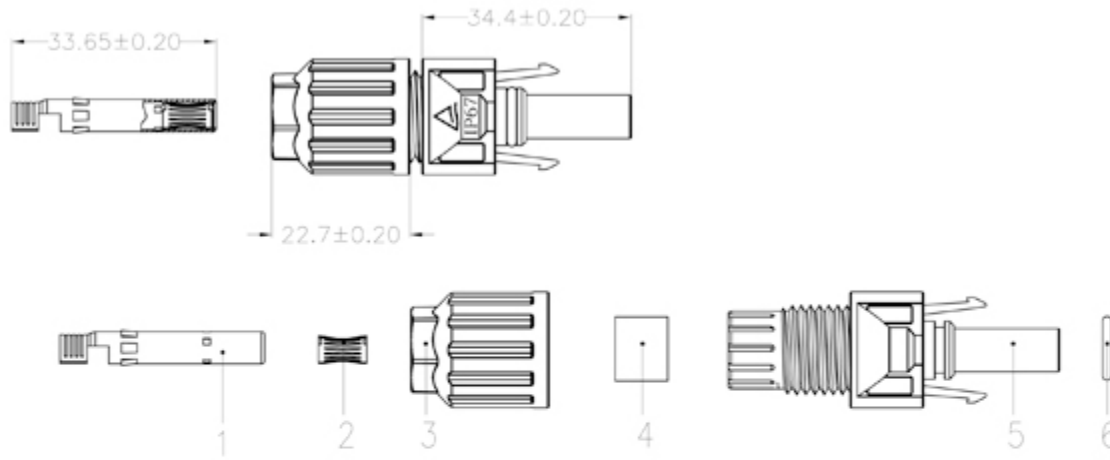
Proveedor de tipos de conector solar Mc4

Modelo

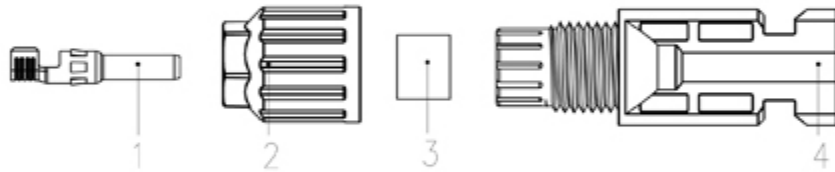
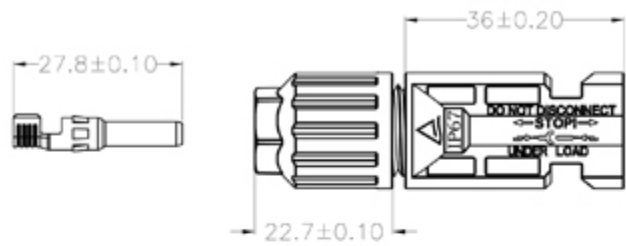
SY-CC4K



Ningún producto.	SY-CC4K
Insulation material	PPO
Voltaje clasificado	TUV 1000 DC / UL 600V DC
Corriente nominal	20A-30A
Test voltage	6KV (50Hz, 1 min)
Contact material	copper, tin plated
Contact resistance	less than 0.5 m ohm
Degree of protection	IP67
Dimensión del pin	4.0 MM
Cable solar compatible	2.5/4.0 /6.0 mm ² (14/12/10 AWG)



6	C4D-S011-00	∅9.8*∅1.5*0" Ring	1	Natural	Silicone				
5	CC4K-P002-01	∅4.0 Cable Female Connector Housing	1	Black	PPO				
4	CF4B-S002-00	∅10.5*7.0 Waterproof Ring(For 4.0~6.0mm ² Cable)	1	Black	Silicone				
3	C4D-P003-00	M15 Turncap	1	Black	PPO	Dimension	Tolerance		
2	CP4A-M003-01	∅4.0 Drum terminal	1	White	Beryllium bronze	0~30.00	±0.05	APVD:	NAME: PV ∅4.0 Cable Female Connector
1	CP4A-M001-01	∅4.0 Female terminal	1	White	Copper	30.00~60.00	±0.10		
						60.00~90.00	±0.15		
						90.00~120.00	±0.20		
						120.00~	±0.25	CHK:	PRODUCT NUMBER: CC4K-F006
No.	Product NO.	Product Name	Q'TY	Colour	Material	Angle		DWG:	
						0~60°	±0.5°		
						60°~	±1.0°		
									DWG: mm Size: A4 SCALE: 1 of 1 REV: A



4	CC4K-P001-01	φ4.0 Cable Male Connector Housing	1	Black	PP0				
3	CF4B-S002-00	φ10.5*7.0 Waterproof Ring(For 4.0~6.0mm ² Cable)	1	Black	Silicone				
2	C4D-P003-00	M15 Turncap	1	Black	PP0				
1	CP4A-M010-01	φ4.0 male terminal	1	White	Copper				
No.	Product NO.	Product Name	Q'TY	Colour	Material				
						Dimension	Tolerance		
						0~30.00	±0.05		
						30.00~60.00	±0.10		
						60.00~96.00	±0.15	APVD:	
						90.00~120.00	±0.20		
						120.00~	±0.25	CHK:	
						Angle		DWN:	
						0~60°	±0.5°		
						60°~	±1.0°		
								NAME:	PV #4.0 Cable Male Connector
								PRODUCT NUMBER:	CC4K-M005
								Unit: mm	Size: A4
								SCALE:	SHEET SIZE: REV:
									1 of 1 A